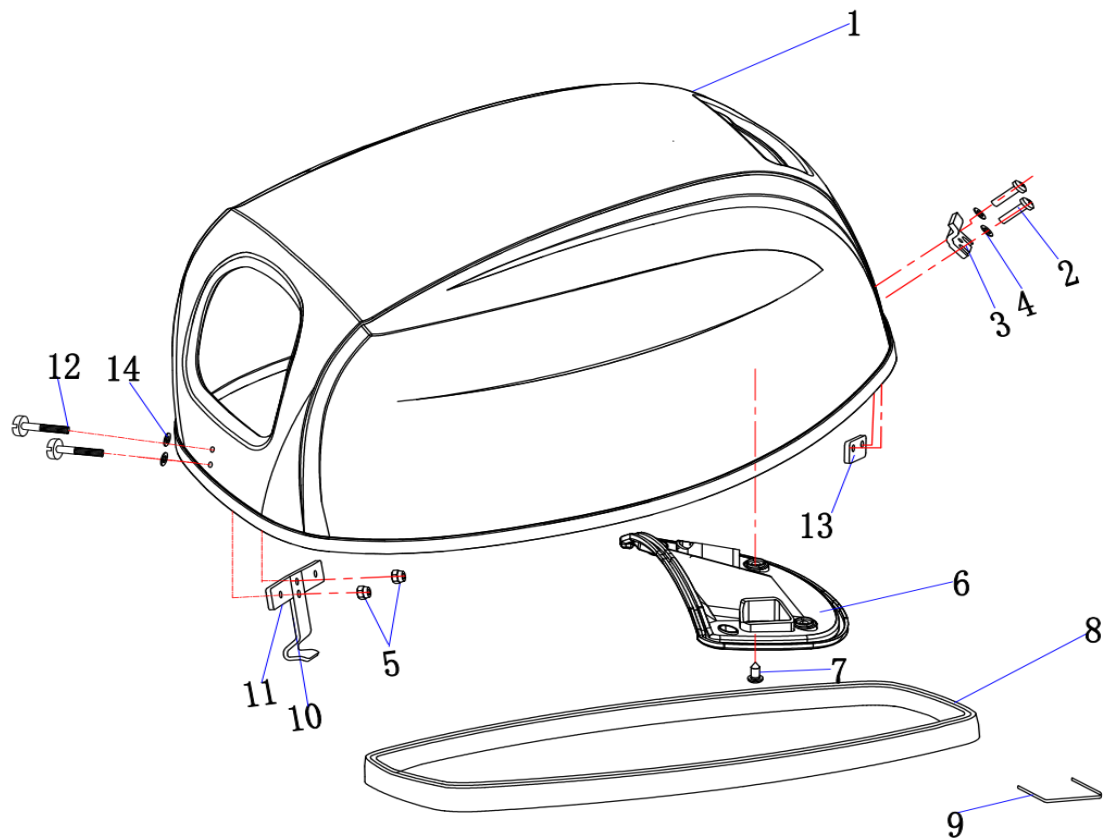


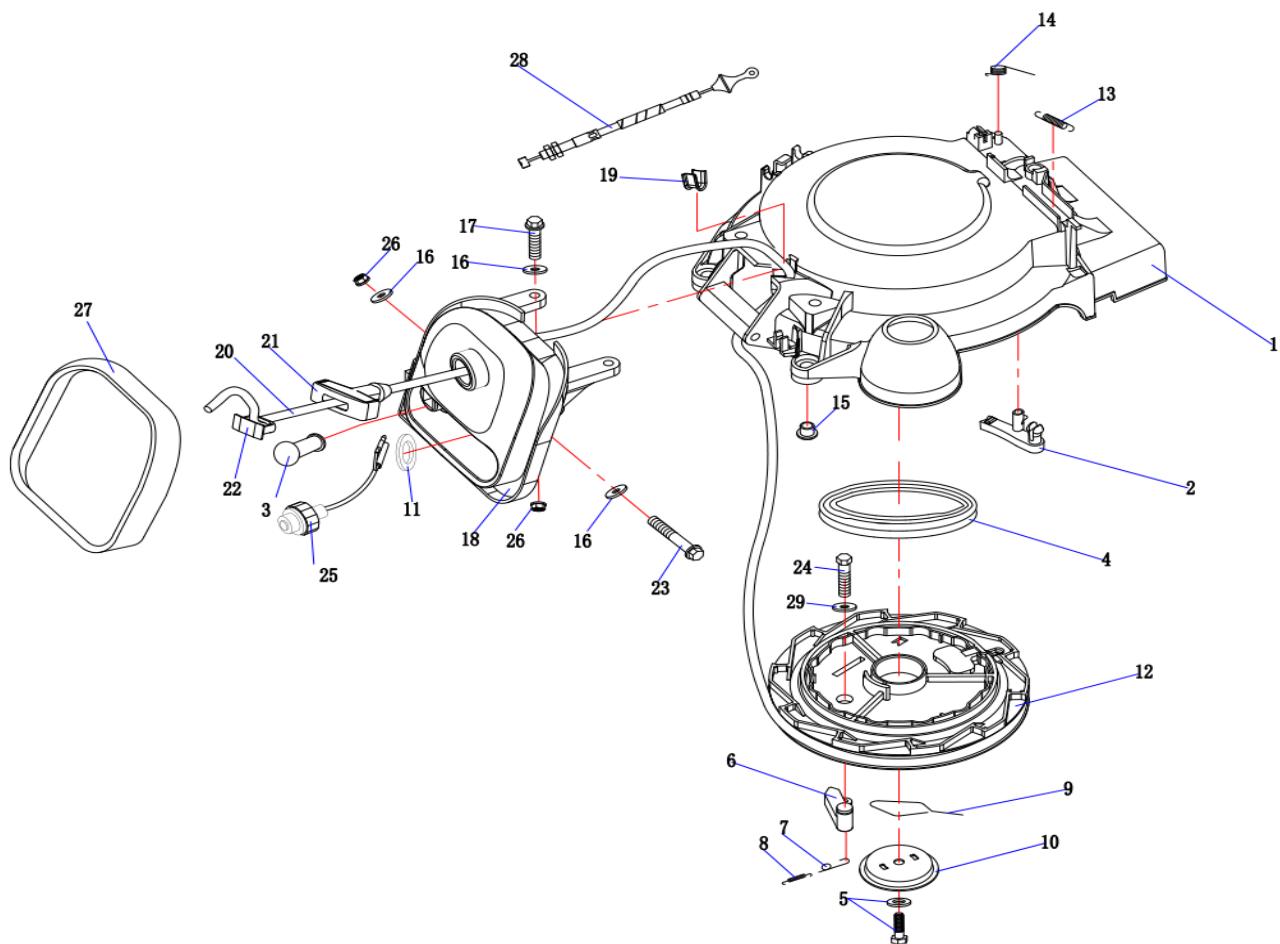


Мотор лодочный Marine Rocket MRF9.9HS PRO (20 л.с. 345 см<sup>3</sup>)



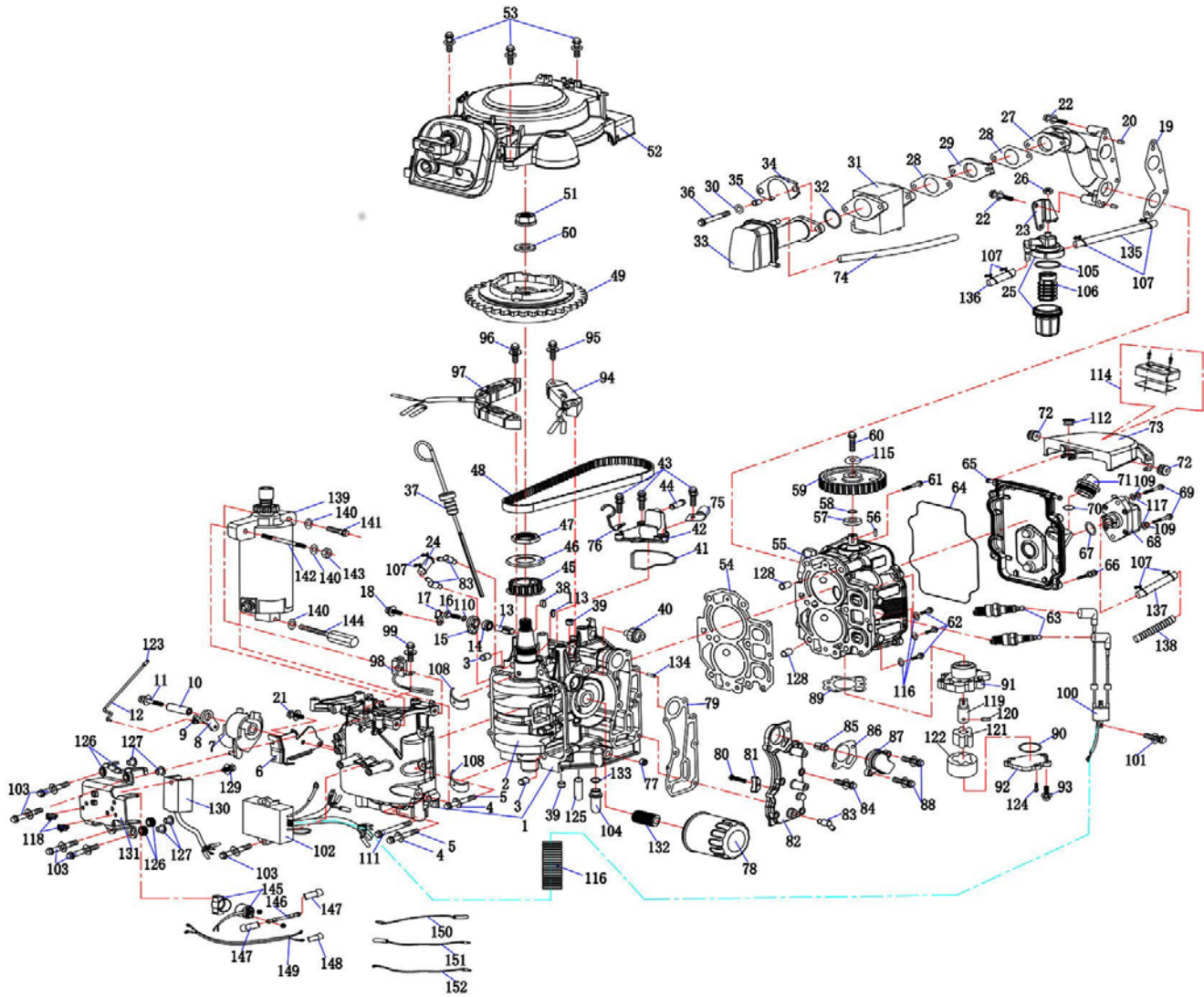
### 1. Капот

NO.	КОД MR	КОД OEM	НАИМЕНОВАНИЕ	ШТ	УПАКОВКА	YAMAHA
1	MR01070233	F15-07.00.00.01	Top cowling	1	1	
2	MR0104073BAG	GB818	Screw M4*12	2	10	
3	MR01080709	F6-07.00.00.04	Rear lock hook	1	1	
4	MR0104169BAG	GB97.1	Flat gasket	2	10	
5	MR0104144BAG	DIN985	Bolt	2	10	
6	MR01070234	F15-07.00.00.02	Air inlet cap	1	1	
7	MR0104092BAG	GB845	Screw ST4.8*13	4	10	
8	MR01060245	F15-07.00.00.03	Rubber seal ring	1	1	
9	MR01090131BAG	15F-07.07	Binding nail	20	10	
10	MR01080229	F15-07.00.00.06	Lock Hook(front)	1	1	
11	MR01080524BAG	F9.9-07.09	front lock hook seat	1	2	
12	MR01040748BAG	GB818	Pan head bolt with cross recess	2	10	
13	MR01082010BAG	2.5F-02.00.00.10	Plate	1	2	
14	MR0104162BAG	GB96	Flat gasket 4	2	10	
	MR030222	F15-07.00.00.00	Top Cowling	1	1	



## 2. Ручной стартер

NO.	КОД MR	КОД OEM	НАИМЕНОВАНИЕ	ШТ	УПАКОВКА	YAMAHA
1	MR01070210	F15-01.07.00.01	Casing, Starter cover assy.	1	1	
2	MR01070211	F15-01.07.00.02	Brake	1	1	66T-15794-00-00
3	MR01060224BAG	F15-01.07.00.06	Plug,choke	1	2	
4	MR01090101	15F-01.01.11	Volute spring	1	1	63V-15713-00-00
5	MR0104404BAG	GB9074.1 M6*16	Bolt	1	10	
6	MR010718038BAG	F25-01.01.00.02	Drive arm	1	2	
7	MR01090104BAG	15F-01.01.18	Spring,drive arm	1	2	63V-15784-01-00
8	MR01090103BAG	15F-01.01.17	Return spring	1	2	63V-15767-01-00
9	MR01090105BAG	15F-01.01.20	Clip spring	1	2	63V-15705-01-00
10	MR01080103	15F-01.01.19	Starter plate	1	1	63V-15716-00-00
11	MR01070145BAG	15F-03.09.13	washer	1	10	
12	MR01070105	15F-01.01.05	Start wheel	1	1	
13	MR01090206BAG	F15-01.07.00.05	Spring	1	2	66T-15731-00-00
14	MR01090205BAG	F15-01.07.00.03	Torsional spring,brake	1	2	66T-15734-00-00
15	MR01020225BAG	F15-01.07.00.10	Cushion tube,recoil starter	3	2	
16	MR0104164BAG	GB96	Flat gasket	4	10	95380-06700-00
17	MR0104014BAG	GB5783	Bolt	2	10	
18	MR01070212	F15-01.07.01.00	Brack comp.,starter handle	1	1	
19	MR01080511	F9.9-01.07.00.06	U-type sliding bush	1	1	
20	MR01100103	15F-01.01.22	starter rope	1	1	90890-44373-00
21	MR01060103	15F-01.01.08	Starter handle	1	1	6G1-15755-00-00
22	MR01070110BAG	15F-01.01.10	Cover, Starter handle	1	2	6G1-15779-00-00
23	MR0104023BAG	GB5783	Hexagonal bolt M6*85	1	10	
24	MR0104078BAG	GB818	Pan head bolt with cross recess	1	10	
25	MR01030201	F15-01.06.01.00	light,oil alarm	1	1	
26	MR0104146BAG	DIN985	hexagon nylon lock nut	3	10	92995-06600-00
27	MR01060225	F15-01.07.00.07	Damper,bracket	1	1	
28	MR01100209	F15-01.07.00.04	Steel cable,brake	1	1	66M-15770-00-00
29	MR0104163BAG	GB96	Flat gasket	1	10	
	MR030102	F15-01.07.00.00	Recoil Starter assy	1	1	

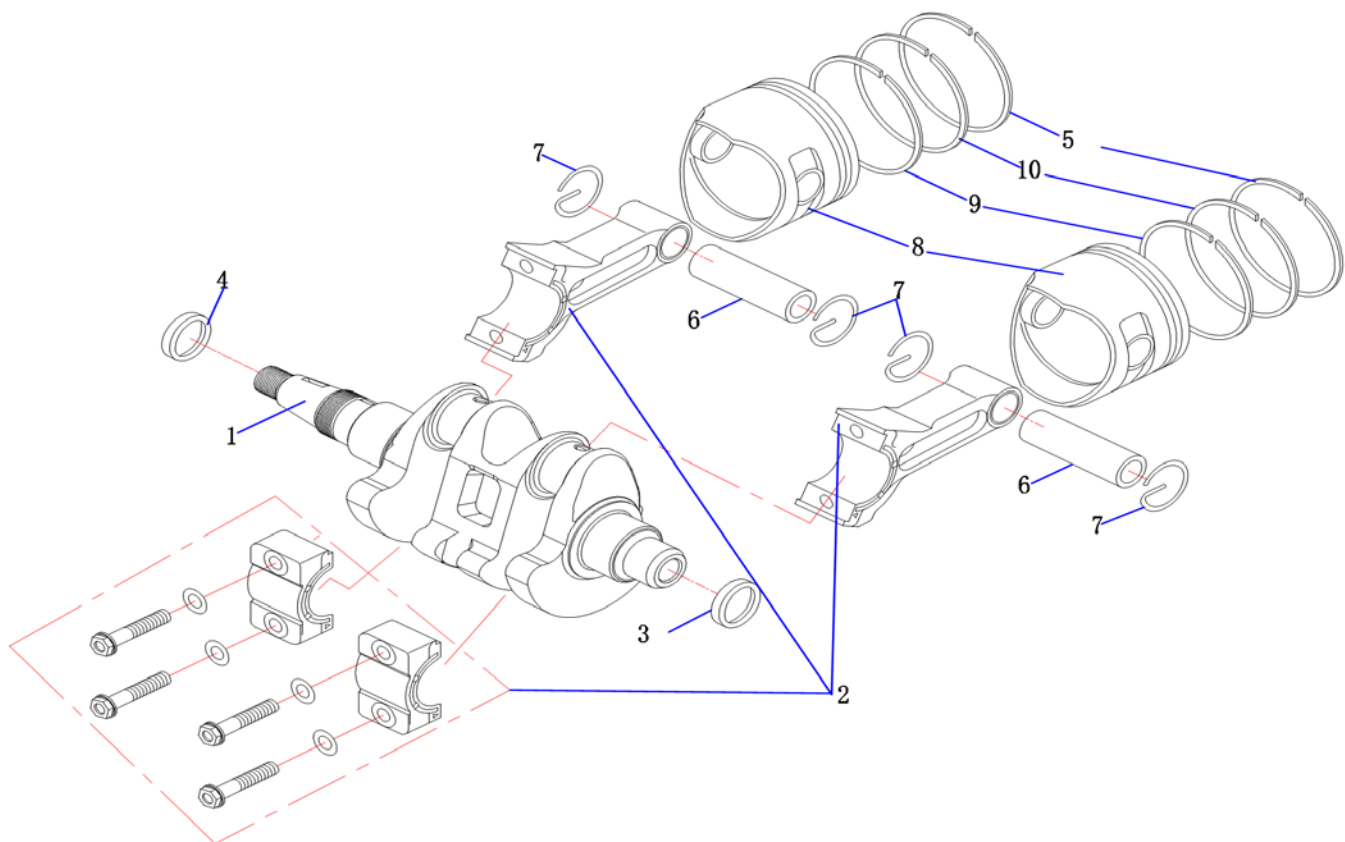


### 3. Блок двигателя

NO.	КОД MR	КОД OEM	НАИМЕНОВАНИЕ	ШТ	УПАКОВКА	YAMAHA
1	MR2202801002	F20-01.01.00.00	Crankcase comp.(with crankcase cover)	1	1	
2		F20-01.02.00.00	Crank connection road assy.	1		
3	MR2022701008A	F60-01.01.00.23	Positioning pin sleeve	2	1	
4	MR0104158BAG	GB848	Flat pad 6	6	10	
5	MR0104317BAG	GB5783(10.9)	Hexagonal bolt & flat gasket assy M6*35	6	10	90119-06MA3-00
6	MR01080202	F15-01.01.00.20	seat,throttle cable cam	1	1	65W-14497-01-00
7	MR01070203	F15-01.01.00.22	Pulley	1	1	65W-41638-00-00
8	MR01070204BAG	F15-01.01.00.23	Connecting block,throttle	1	2	65W-41283-00-00
9	MR01070116	15F-01.02.07	chock lever joint A1	1	1	661-41262-02-00
10	MR01020203	F15-01.01.00.21	Bushing	1	1	90387-06064-00
11	MR0104018BAG	GB9074.1 M6*55	Hex Head Bolt M6*55	1	10	
12	MR01090201BAG	F15-01.01.00.25	Throttle lever	1	2	66M-41211-00-00
13	MR01010203	F15-01.01.00.03	Anode	1	1	66M-11325-00-00
14	MR01060207BAG	F15-01.01.00.04	Stop collar,drive pully	1	2	66M-11328-00-00
15	MR01010204	F15-01.01.00.05	Pressing strip	1	1	66M-11327-00-94
16	MR0104003BAG	GB5783	Bolt	1	10	
17	MR01080201BAG	F15-01.01.00.06	Conductive slice	1	2	66M-12535-00-00
18	MR0104012BAG	GB9074.1 M6*20	Hex Bolt M6*20	1	10	
19	MR01050232	F15-01.03.00.28	Air intake manifold gasket	1	1	66M-13645-00-00
20	MR01020110BAG	15F-01.06.20	Locating Pin 2*6	2	10	93606-12019-00
21	MR0104403BAG	GB9074.1 M6*12	Bolt	1	10	
22	MR0104410BAG	GB9074.1 M6*40	Bolt	4	10	
23	MR01080207	F15-01.03.00.31	Holder,fuel filter	1	1	
24	MR01060209BAG	F15-01.01.00.27	Hose	1	2	
25	MR01070165	15F-01.07.05.05	Inner cover,exhaust	1	1	61N-24560-00-00
26	MR0104139BAG	GB6170	Bolt nut	1	10	
27	MR01010215	F15-01.03.00.30	Air intake manifold	1	1	66M-13641-10-94
28	MR01050233BAG	F15-01.03.00.32	Carburetor Seal gasket	2	10	66M-13646-00-00
29	MR01070206	F15-01.03.00.33	heatproof Plate	1	1	66M-14271-00-00

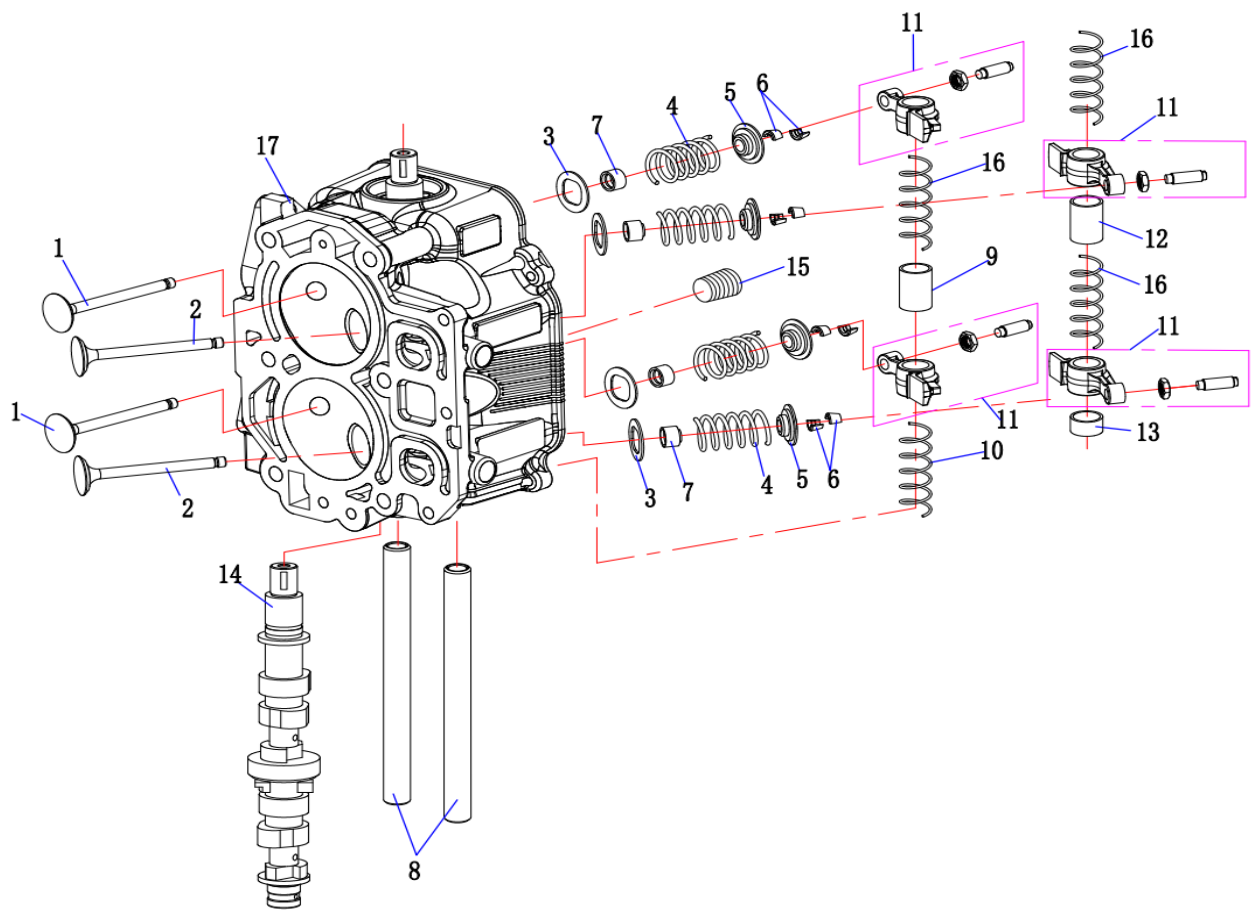
30	MR0104158BAG	GB848	Flat pad 6	2	10	
31	MR01052201	F20-01.03.03.00	Carburetor Assy.	1	1	
32	MR01060215BAG	F15-01.03.04.04	Seal O-ring	1	2	93210-35M86-00
33	MR01070207	F15-01.03.04.00	Air intake silencer Assy.	1	1	66M-12170-00-00
34	MR01080208	F15-01.03.00.34	Clamp plate,Air intake silencer	1	1	66M-14477-00-00
35	MR01020221BAG	F15-01.03.00.43	Cushion tube	2	2	
36	MR0104025BAG	GB5783	Bolt	2	10	90119-06M76-00
37	MR01100257	F15- II -01.03.00	oil dip stick comp.	1	1	66M-15362-00-00
38	MR01100203BAG	F15-01.02.00.02	Woodruff key	1	2	90280-05013-00
39	MR0104202	F15-01.01.00.08	Plug	2	1	
40	MR01050209	F15-01.01.00.26	Oil pressure alarm	1	1	62Y-82504-10-00
41	MR01060210BAG	F15-01.01.02.03	sealing strip	1	2	66M-11357-00-00
42	MR092501010208	F15-01.01.02.01	breather	1	1	66M-11168-00-1S
43	MR0104406BAG	GB9074.1 M6*20	Flat gasket&Bolt	3	10	
44	MR01020219BAG	F15-01.01.02.02	Oil inlet	1	2	6E5-24377-00-00
45	MR01050211	F15-01.02.00.03	drive pully	1	1	66M-11536-10-00
46	MR01080203	F15-01.02.00.04	Stop collar,drive pully	1	1	66M-11557-00-00
47	MR01020204	F15-01.02.00.05	Nut	1	1	90170-28M37-00
48	MR01100205	F15-01.03.00.25	belt	1	1	66M-46241-00-00
49	MR01030208B	F15-01.06.00.04	Fly wheel	1	1	
50	MR0104172BAG	GB97.1	Flat gasket M16	1	10	92995-06600-00
51	MR01020211	F15-01.06.00.06	Fly wheel nut	1	1	90179-16M05-00
52	MR030102	F15-01.07.00.00	Recoil Starter assy	1	1	
53	MR0104406BAG	GB9074.1 M6*20	Flat gasket&Bolt	3	10	
54	MR01052203	F20-01.03.02.00	Cylinder gasket comp.	1	1	
55	MR01010209	F15-01.03.00.21	Cylinder head	1	1	66M-11111-01-1S
56	MR01100204BAG	GB1099	Woodruff keyoil seal	1	2	
57	MR01050230	F15-01.03.00.16	oil seal	1	1	93102-18M21-00
58	MR0104173BAG	GB97.1	Flat gasket 12	1	10	
59	MR01010214	F15-01.03.00.24	Driven pulley	1	1	66M-11537-00-94
60	MR0104055BAG	GB5789 (9.8)	Hex Flange Bolt M6*16	1	2	90109-06M86-00
61	MR0104068BAG	GB5789(10.9)(S10)	Flat gasket	6	5	90105-08M78-00
62	MR0104421BAG	GB9074.1 M6*25(10.9)	Bolt	3	10	
63	MR01030311	DPR6EA-9(F15)	Spark plug	2	1	NGK-DPR6E-A9-00
64	MR01060213	F15-01.03.00.38	Rubber seal ring	1	1	66M-11356-00-00
65	MR01010216	F15-01.03.00.37	Cover,Cylinder head	1	1	66M-11191-00-1S
66	MR0104406BAG	GB9074.1 M6*20	Flat gasket&Bolt	4	10	
67	MR01060219BAG	F15-01.04.01.10	O-ring	1	2	93210-20M65-00
68	MR01050235B	F15-01.04.01.00	Fuel pump assy.(TK)	1	1	66M-24410-10-00
69	MR0104085BAG	GB818	Cross recessed Pan head screws M5*30	2	10	97095-06020-00
70	MR01060308BAG	F4-01.06.27	O ring	1	2	93210-24M79-00
71	MR01070208BAG	F15-01.03.00.39	Oil filling plug	1	2	6G8-15363-00-00
72	MR01060211BAG	F15-01.03.00.27	Damper	2	2	
73	MR01070205	F15-01.03.00.26	Drive pulley cover	1	1	66M-46297-00-00
74	MR01060212BAG	F15-01.03.00.35	Breath hose	1	2	
75	MR01080210BAG	F15-01.03.00.42	fix clip,air breather tube	1	5	
76	MR01080209BAG	F15-01.03.00.36	Clip	1	2	
77	MR0104201	F15-01.01.00.07	Plug	1	1	
78	MR01020218	F15-01.05.01.00	Oil filter assembly	1	1	5GH-13440-00-00
79	MR01050201	F15-01.01.00.09	Gasket,exhaust cap	1	1	66M-41114-01-00
80	MR0104113BAG	GB820	Cross recessed countersunk head screw	1	10	
81	MR01010207	F15-01.01.00.13	Anode	1	1	6E5-11325-00-00
82	MR01010205	F15-01.01.00.10	Cap,exhaust	1	1	
83	MR01020109	15F-01.06.10	water Tube fitting B	3	1	676-11372-00-00
84	MR0104408BAG	GB9074.1 M6*30	Bolt	5	10	
85	MR010501040	F15-01.06.14-60°	Thermostat 60°	1	1	66M-12411-01-00
86	MR01050202BAG	F15-01.01.00.11	Gasket,Thermostat	1	2	62Y-12414-00-00
87	MR01010206	F15-01.01.00.12	Thermostat cap	1	1	6H3-12413-00-1S
88	MR0104408BAG	GB9074.1 M6*30	Bolt	2	10	
89	MR01050240BAG	F15-01.05.00.02	Oil pump Seal gasket	1	2	66M-13329-10-00
90	MR01060220BAG	F15-01.05.02.04	sealing	1	2	
91	MR01010218	F15-01.05.02.06	Oil pump	1	1	66M-13300-10-00
92	MR01010217	F15-01.05.02.05	Oil pump cap	1	1	
93	MR0104409BAG	GB9074.1 M6*35	Hexagonal bolt & flat gasket assy M6*35	3	10	
94	MR01030203B	F15-01.06.03.00	Charging coil assy	1	1	
95	MR0104407BAG	GB9074.1 M6*25	Hexagonal bolt & flat gasket assy M6*25	2	10	
96	MR0104409BAG	GB9074.1 M6*35	Hexagonal bolt & flat gasket assy M6*35	4	10	
97	MR01030202B	F15-01.06.02.00	engine coil comp.	1	1	66M-85533-10-00
98	MR01030204B	F15-01.06.04.00	Trigger coil comp.	1	1	66M-85520-00-00
99	MR0104404BAG	GB9074.1 M6*16	Bolt	2	10	
100	MR01030205B	F15-01.06.05.00	Ignition coil	1	1	66M-85570-00-00
101	MR0104406BAG	GB9074.1 M6*20	Flat gasket&Bolt	2	10	
102	MR01030206B	F15-01.06.06.00	Ingition coil comp.	1	1	66M-85540-01-00
103	MR0104406BAG	GB9074.1 M6*20	Flat gasket&Bolt	6	10	
104	MR01050203	F15-01.01.01.00	Flood valve comp.	1	1	6G8-11575-00-00
105	MR01060112BAG	15F-01.07.05.06	O ring,filter	1	2	93210-32738-00
106	MR2072701075ABAG	F60-01.07.01.31	fuel fliter	1	5	61N-24563-00-00

107	MR01090139BAG	F4-01.07.07	Clamp $\phi$ 10	8	10	
108	MR01052202	F20-01.01.00.17	Main bearing	4	1	
109	MR0104154BAG	GB93	Spring Washer	2	10	
110	MR0104157BAG	GB848	flute gasket	1	10	92995-06600-00
111	MR0104064BAG	GB5789(10.9)(S10)	Bolt	4	5	
112	MR01060214BAG	F15-01.03.00.41	Damper	1	2	
113	MR01100204BAG	GB1099	Woodruff keyoil seal	1	2	
114	MR01031950	60F-01.02.00.13	timer Comp.	1	1	
115	MR0104164BAG	GB96	Flat gasket	1	10	
116	MR01100208	F15-01.06.00.08	flame retardent,hose	1	1	
117	MR0104158BAG	GB848	Flat pad 6	2	10	
118	MR01070209BAG	F15-01.06.00.03	plastic cable clamp	2	10	
119	MR01050237	F15-01.05.02.01	Rotor spindle	1	1	
120	MR01050246BAG	GB309	Roller needle	1	10	
121	MR01050238	F15-01.05.02.02	Inner rotor	1	1	
122	MR01050239	F15-01.05.02.03	Outer rotor	1	1	
123	MR01060512BAG	F9.9-01.04.00.05	linkage cover	1	2	
124	MR0104105BAG	GB823	Cross recessed Pan head screws M6*20	2	10	
125	MR01020219BAG	F15-01.01.02.02	Oil inlet	1	2	6E5-24377-00-00
126	MR01060223BAG	F15-01.06.00.02	Damper	4	2	
127	MR01020212BAG	F15-01.07.00.08	Cushion tube,recoil starter	4	2	
128	MR01020202BAG	F15-01.01.00.18	Dowel pin	2	5	99510-10114-00
129	MR0104403BAG	GB9074.1 M6*12	Bolt	1	10	
130	MR01100206BAG	F15-01.04.00.04	Bellows	1	2	
131	MR01080212	F15-01.06.00.01	Bracket,Rectifier	1	1	
132	MR01020210	F15-01.05.00.01	dabber,fuel filter	1	1	90401-20M00-00
133	MR01060208BAG	F15-01.01.00.15	O-ring	1	5	93210-24M79-00
134	MR01020129BAG	15F-06.03.08	Cotter Pin 4*12(short shaft)	2	10	93604-12M07-00
135	MR01060216BAG	F15-01.04.00.01	Fuel hose	1	2	90445-10M93-00
136	MR01060217BAG	F15-01.04.00.02	Fuel Hose (5*10*150)	1	2	90445-10M15-00
137	MR01060218BAG	F15-01.04.00.03	Fuel hose	1	2	90445-10M19-00



#### 4. Коленвал

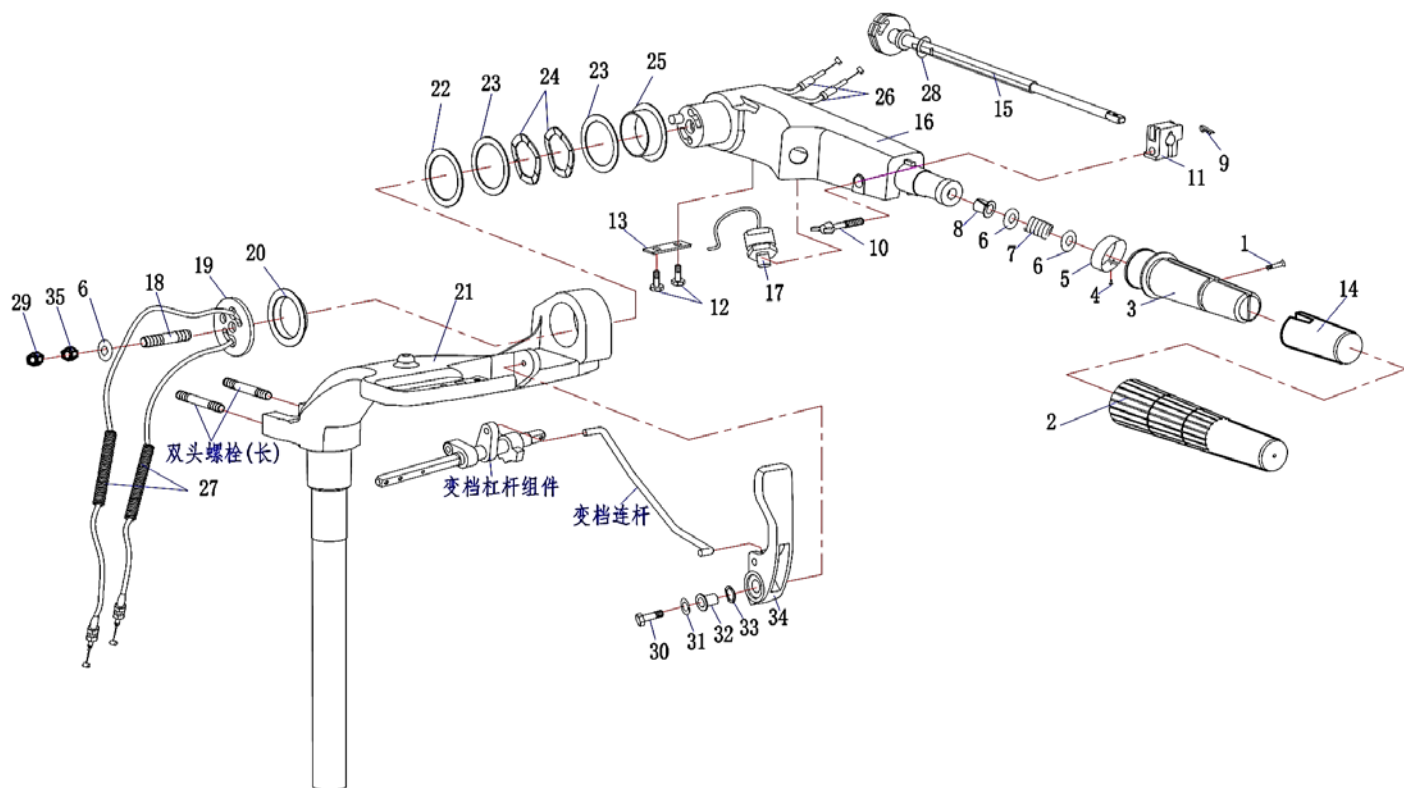
NO.	КОД MR	КОД OEM	НАИМЕНОВАНИЕ	ШТ	УПАКОВКА	YAMAHA
1	MR01050210	F15-01.02.00.01	Crankshaft	1	1	66M-11411-00-00
2	MR01052211	F20-01.02.01.00	Connecting rod comp.	2	1	
3	MR01050222	F15-01.02.00.07	Oil seal(bottom),crankshaft	1	1	93102-25M52-00
4	MR01050221	F15-01.02.00.06	Oil seal(upper),crankshaft	1	1	93102-35M51-00
5	MR01052205	F20-01.02.02.03	1st ring	2	Sell by pair	
9	MR01052208	F20-01.02.03.00	Oil ring	2		
10	MR01052206	F20-01.02.02.04	2nd ring	2		
6	MR01052209BAG	F20-01.02.02.06	Pin,piston	2	2	
7	MR01050705BAG	F6-01.05.05.03	Circlip	4	2	
8	MR01050215B	F15-01.02.02.01	Piston	2	1	66M-11631-00-96



## 5. ГРМ

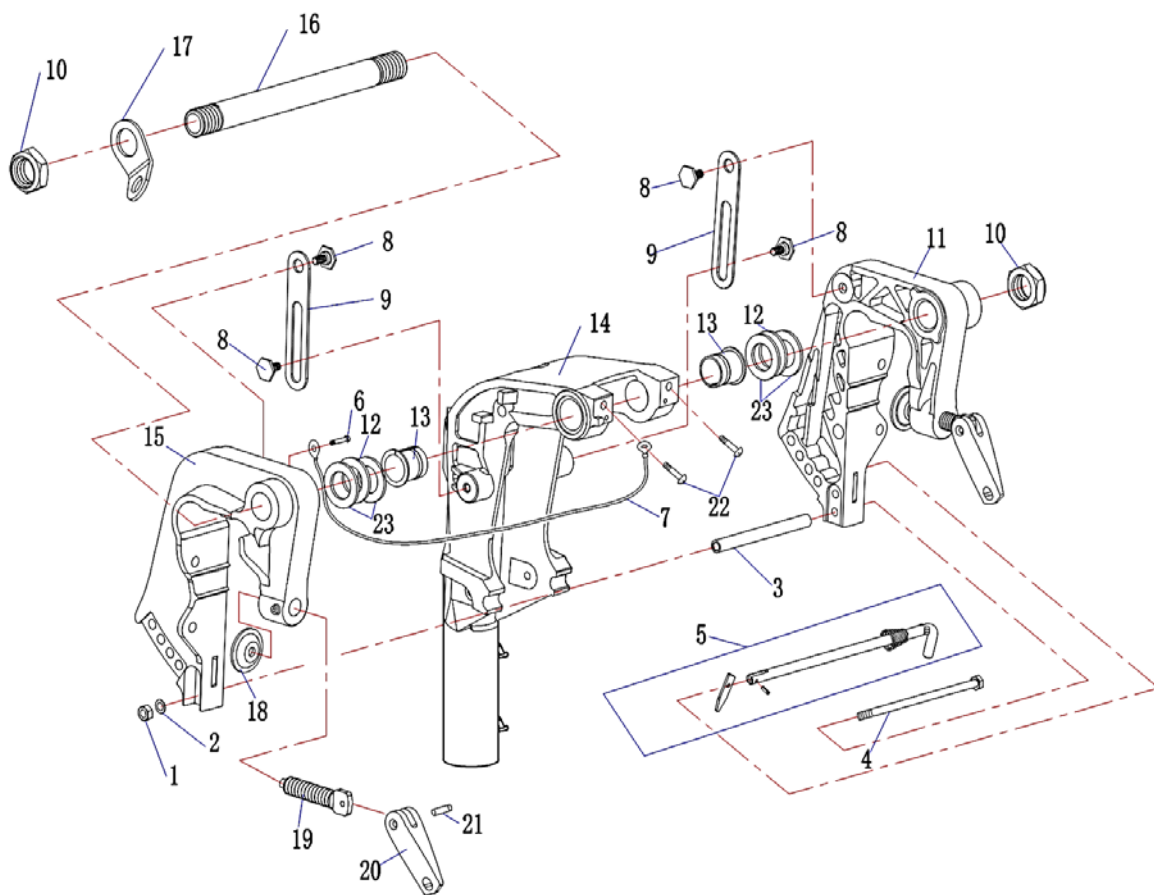
NO.	КОД MR	КОД OEM	НАИМЕНОВАНИЕ	ШТ	УПАКОВКА	YAMAHA
1	MR01050223	F15-01.03.00.01	Intake valve	2	1	66M-12111-00-00
2	MR01050224	F15-01.03.00.02	Exhaust valve	2	1	66M-12121-00-00
3	MR01080206BAG	F15-01.03.00.07	Washer,Valve spring	4	2	66M-12116-00-00
4	MR01090203BAG	F15-01.03.00.03	Valve spring	4	2	66M-12113-00-00
5	MR01080204BAG	F15-01.03.00.04	Washer,Valve spring	4	2	30X-12117-00-00
6	MR01080205BAG	F15-01.03.00.05	valve clamp	8	10	30X-12118-00-00
7	MR01050229BAG	F15-01.03.00.15	Valve oil seal	4	5	51Y-12119-00-00
8	MR01050225	F15-01.03.00.06	Rocker arm shaft	2	1	66M-12146-00-00
9	MR01020205BAG	F15-01.03.00.10	Sleeve,Rocker arm shaft(inlet)	1	2	90387-13M56-00
10	MR01090202BAG	F15-01.03.00.09	Spring,Rocker arm shaft	1	2	90501-12M41-00
11	MR01050227	F15-01.03.00.14	Rocker arm	4	1	66M-12151-10-00
12	MR01020207BAG	F15-01.03.00.12	Sleeve,Rocker arm shaft c(outlet)	1	2	90387-13002-00
13	MR01020206BAG	F15-01.03.00.11	Sleeve,Rocker arm shaft B	1	2	90387-13001-00
14	MR2052801010	F20-01.03.01.00	Camshaft comp.	1	1	
15	MR0104202	F15-01.01.00.08	Plug	3	1	
16	MR01090204BAG	F15-01.03.00.13	Spring,Rocker arm shaft	3	2	90501-12M40-00
17	MR2012401004	F15EI-01.03.01.00	Cylinder head comp.	1	1	





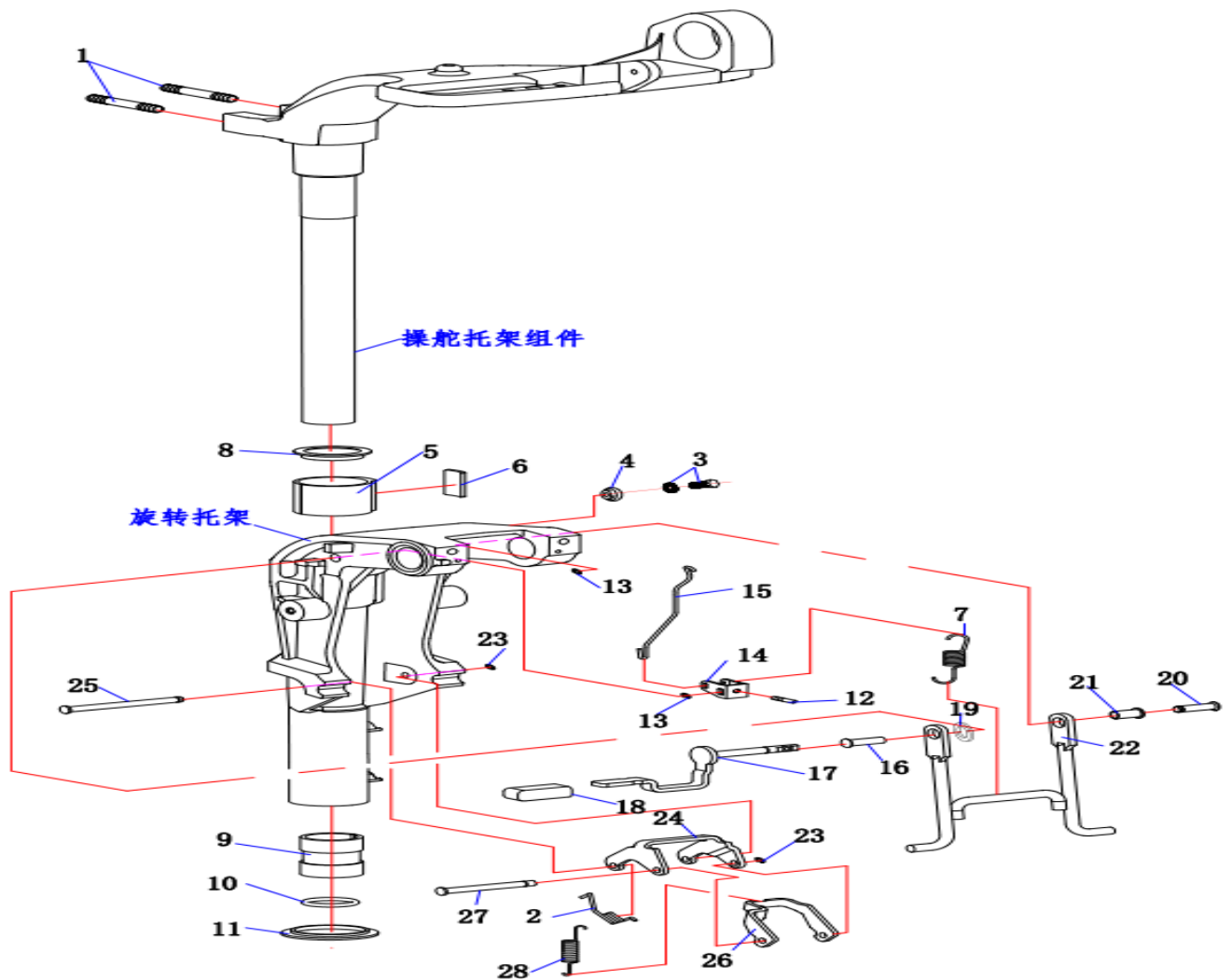
## 6. Румпель

NO.	КОД MR	КОД OEM	НАИМЕНОВАНИЕ	ШТ	УПАКОВКА	YAMAHA
1	MR0104117BAG	GB820	Screw M5*25	1	10	
2	MR01060349	F4-04.07.15	Rubber sleeve,Handle	1	1	
3	MR01070154	15F-04.07.13	Handle	1	1	
4	MR010408809BAG	GB845	Screw	1	10	
5	MR01100366BAG	F4-04.11- II	Indicator,throttle	1	2	
6	MR0104160BAG	GB848	Flat Pad 10	3	10	
7	MR01090124BAG	15F-04.07.11	Spring	1	2	
8	MR01070153BAG	15F-04.07.12	Bushing	1	2	
9	MR01041850BAG	GB91	Cotter pin 1.6*12	1	10	
10	MR01020216	F15-04.02.00.08	Friction adjusting screw	1	1	
11	MR01070152BAG	15F-04.07.08	locking segment	1	5	
12	MR0104406BAG	GB9074.1	Flat gasket&Bolt	2	10	
13	MR01080223BAG	F15-04.02.00.07	Plate	1	2	65W-42159-00
14	MR01020328	F4-04.07.14	Insert,handle	1	1	
15	MR01070224	F15-04.02.00.05	Throttle lever	1	1	65W-42138-00
16	MR092501010223	F15-04.02.00.01	Steering handle	1	1	
17	MR01100112	15F-04.07.03	emergency stop switches assy	1	1	
18	MR01020215	F15-04.02.00.02	Double-screw bolt	1	1	
19	MR01080220	F15-04.00.00.02	Plate	1	1	65W-42131-01
20	MR01070222BAG	F15-04.00.00.04	Nylon sleeve(short)	1	2	90386-40M99
21	MR092501010228	F15-04.01.00.00-S	Steering bracket comp. (S)	1	1	
	MR092501010222	F15-04.01.00.00-L	Steering bracket comp. (L)	1	1	
22	MR01070221BAG	F15-04.00.00.03	Nylon washers	1	2	90202-43M57
23	MR01080222BAG	F15-04.00.00.07	Gasket	2	2	90201-43M00
24	MR01080221BAG	F15-04.00.00.05	Waterform gasket ring	2	5	90206-43M22
25	MR01070223BAG	F15-04.00.00.06	Nylon sleeve(long)	1	2	90386-440MA0
26	MR01100212	F15-04.02.00.04	Throttle cable	2	1	
27	MR01100214BAG	F15-04.00.00.08	Waveform pipe	2	2	
28	MR0104161BAG	GB848	Flat gasket 12	1	10	
29	MR0104230BAG	DIN985	hexagonal lock nut M10*1.25	1	2	
30	MR0104015BAG	GB5783	Hex Head Bolt M6*35	1	10	
31	MR0104158BAG	GB848	Flat pad 6	1	10	
32	MR01020127	15F-04.08.03	Washer	1	1	
33	MR01080132BAG	15F-04.08.04	Washer	1	2	
34	MR01070528	F15-02.00.00.34	Shift handle	1	1	
35	MR0104140BAG	GB6170	Hexagonal nut M10*1.25	1	2	
	MR030802	F15-04.00.00.00	Tiller Assy.	1	1	



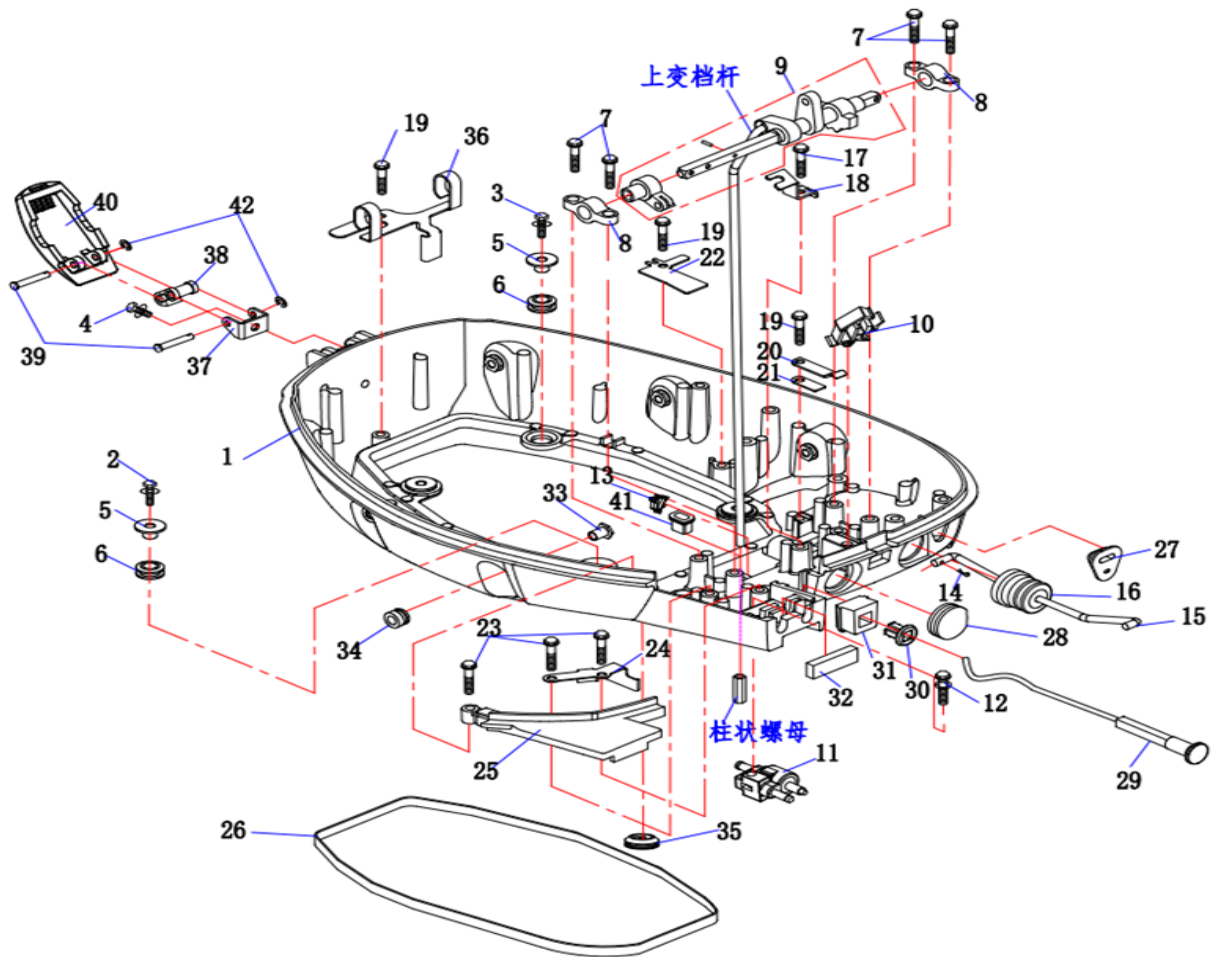
## 7. Кронштейн струбцин

NO.	КОД MR	КОД OEM	НАИМЕНОВАНИЕ	ШТ	УПАКОВКА	YAMAHA
1	MR0104138BAG	GB6170	Hex Nut M6	1	10	92995-06600-00
2	MR0104158BAG	GB848	Flat pad 6	1	10	92995-06600-00
3	MR01020123	15F-03.11	Sleeve	1	1	90387-06M13-00
4	MR0104029BAG	GB5783	Bolt	1	5	90101-06M29-00
5	MR01090147	15F-03.10.00- II	Trim rod	1	1	6L2-43160-00-00
6	MR0104082BAG	GB818	Screw M6*8	1	10	
7	MR01100107	15F-03.05.03	Conductive wire	1	1	66M-82148-00-00
8	MR01020118BAG	15F-03.06	Bolt	4	2	
9	MR01080119	15F-03.07	brake pad	2	1	63V-43181-00-00
10	MR01020115	15F-03.01	Clamp nut	2	1	90185-22043-00
11	MR090701010131	15F-03.08.01	Bracket(RH)	1	1	63V-43111-06-4D
12	MR01070139BAG	15F-03.02	Nylon gasket	2	2	90202-22M54-00
13	MR01070141BAG	15F-03.09.02	Damping ring,bracket	2	2	90386-22M94-00
14	MR092501010227	F15-03.01.00.01-S	Swivel bracket(S)	1	1	63V-43311-03-4D
	MR092501010221	F15-03.01.00.01-L	Swivel bracket(L)	1	1	66M-43311-10-4D
15	MR090701010130	15F-03.05.01	Bracket(left)	1	1	63V-43112-07-4D
16	MR01020214	F15-03.00.00.01	Bolt	1	1	63W-43131-01-00
17	MR01080117	15F-03.03	Orifice plate	1	1	66R-43113-00-00
18	MR01080118BAG	15F-03.05.02.03	Clamp plate	2	2	648-43114-01-00
19	MR01020527	F9.9- II -03.00.00.02	Clamp Bolt,Transom	2	1	6E7-43116-00-00
20	MR01011122	40F-03.05.03.02	intensify handle	2	1	6E0-43118-01-00
21	MR0104222BAG	GB1015	Bolt	2	10	90243-04M01-00
22	MR0104087BAG	GB818	Cross recessed	2	10	
23	MR01081114BAG	40F-03.03	Washer	4	2	



## 8. Поворотный кронштейн

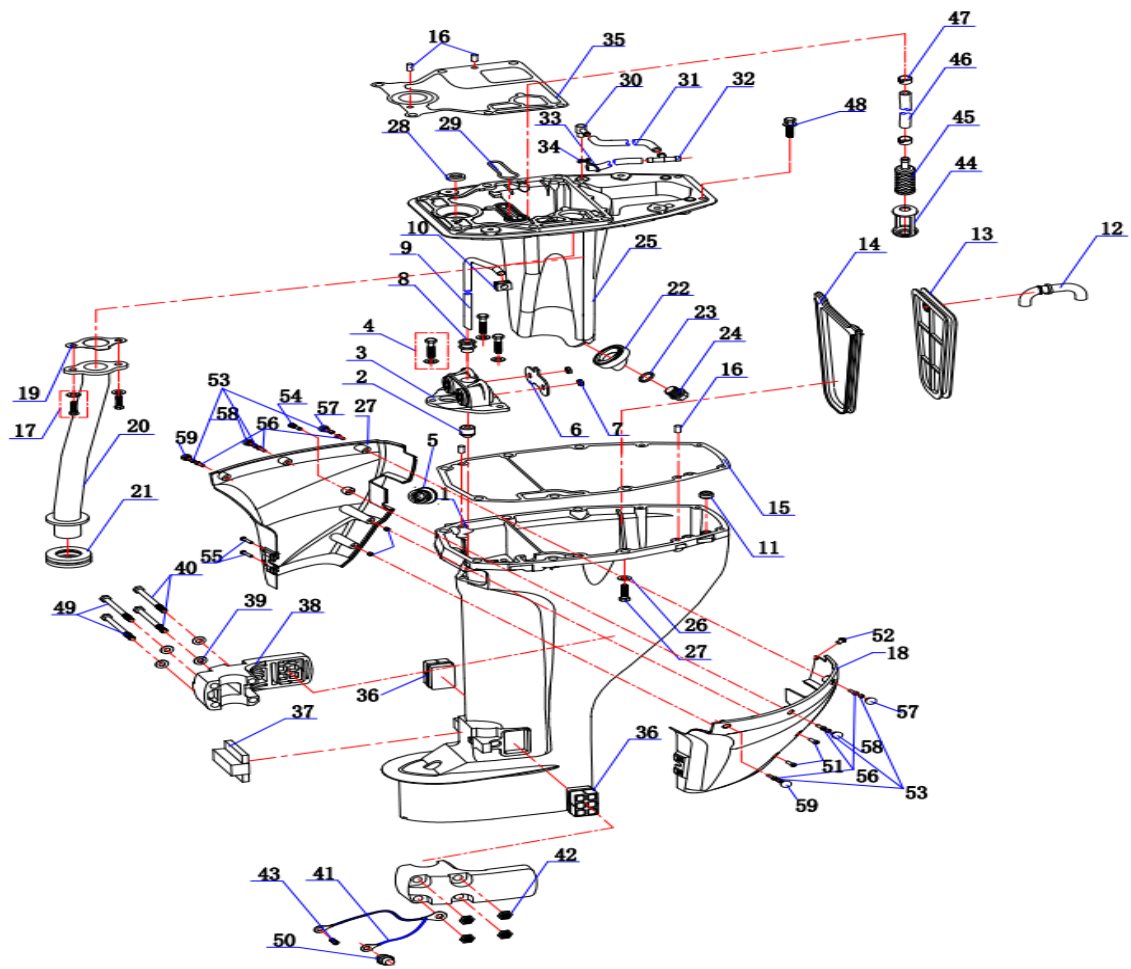
NO.	КОД MR	КОД OEM	НАИМЕНОВАНИЕ	ШТ	УПАКОВКА	YAMAHA
1	MR01020124	15F-04.01.03	Bolt	2	1	
2	MR01090123BAG	15F-03.09.23	Spring	1	2	90508-18M41-00
3	MR0104406BAG	GB9074.1	Flat gasket&Bolt	1	10	97095-06020-00
4	MR01060122BAG	15F-03.09.09	Gasket	1	2	689-43373-01-00
5	MR01070142BAG	15F-03.09.03	Lock washer	1	2	65F-42537-00-00
6	MR01080120BAG	15F-03.09.04	Friction plate,Locking	1	5	63V-42528-00-00
7	MR01090120BAG	15F-03.09.24	Spring	1	2	90507-20M00-00
8	MR01080121	15F-03.09.05	ring gasket	1	1	
9	MR01070143BAG	15F-03.09.06	bushing (bottom)	1	2	90386-30048-00
10	MR01060121BAG	15F-03.09.07	O ring	1	2	93210-29M94-00
11	MR01070144BAG	15F-03.09.08	Lower bushing	1	2	90386-30M60-00
12	MR0104075BAG	GB818	Pan head screw with cross recess	1	10	90157-05014-00
13	MR0104178BAG	GB896	Circlip	2	10	99080-05600-00
14	MR01080122BAG	15F-03.09.10	Angle fixer	1	2	63V-43641-01-00
15	MR01090121BAG	15F-03.09.11	angle loction rod	1	2	
16	MR01020119BAG	15F-03.09.14	Sleeve	1	2	90387-07M07-00
17	MR01080144	15F-03.09.12.00	Lever comp.,Steering	1	1	66M-43630-01-00
18	MR01060123BAG	15F-03.09.12.01	rubber Sleeve	1	2	682-43318-01-00
19	MR01070145BAG	15F-03.09.13	washer	1	10	90202-07M60-00
20	MR01020121	15F-03.09.19	Pin	1	1	63V-43191-00-00
21	MR01070146BAG	15F-03.09.17	Nylon bush,support frame	1	2	90386-07M95-00
22	MR01080127	15F-03.09.15	Tilt angle fixer	1	1	66M-43350-01-00
23	MR0104177BAG	GB896	Circlip	2	10	93430-04M03-00
24	MR01080126	15F-03.09.21	Tilt angle outer bracket	1	1	66R-43615-00-00
25	MR01020120BAG	15F-03.09.16	Pin,support frame	1	2	63V-43659-00-00
26	MR01080125	15F-03.09.20	Tilt angle inner bracket	1	1	63V-43614-10-00
27	MR01020122BAG	15F-03.09.22	Shaft,Tilt Lock	1	2	66R-43611-00-00
28	MR01090122BAG	15F-03.09.18	pull Sping	1	5	90506-26M38-00



## 9. Поддон

NO.	КОД MR	КОД OEM	НАИМЕНОВАНИЕ	ШТ	УПАКОВКА	YAMAHA
1	MR092501010232	F15- II -02.00.00.01	Botton Base	1	1	
2	MR0104407BAG	GB9074.1 M6*25	Hexagonal bolt & flat gasket assy M6*25	2	10	
3	MR0104409BAG	GB9074.1 M6*35	Hexagonal bolt & flat gasket assy M6*35	2	10	
4	MR0104403BAG	GB9074.1 M6*12	Bolt	1	10	
5	MR01020114BAG	15F-02.08	Washer,damping	4	2	
6	MR01060115BAG	15F-02.07	Cushion blocking of bottom seat	4	2	
7	MR0104407BAG	GB9074.1 M6*25	Hexagonal bolt & flat gasket assy M6*25	4	10	
8	MR01070219	F15-02.00.00.07	Bracket	2	1	6F5-41662-00-00
9	MR01070213	F15-02.01.00.00	Shift lever Comp.	1	1	65W-44121-00-00
10	MR01070136BAG	15F-02.06	Fixer,Throttle cable	1	2	90465-25M57-00
11	MR01100106	15F-01.07.01.00	Fuel hose joint assy	1	1	6G1-24304-02-00
12	MR0104407BAG	GB9074.1 M6*25	Hexagonal bolt & flat gasket assy M6*25	1	10	
13	MR01070209BAG	F15-01.06.00.03	plastic cable clamp	1	10	
14	MR01090126BAG	15F-04.08.05	circlip(L)	1	2	
15	MR01090207	F15-02.00.00.14	Gear shift	1	1	
16	MR01060228BAG	F15-02.00.00.15	Rubber shock ring,handle conncting rod	1	2	65W-42726-00-00
17	MR0104056BAG	GB5787(9.8)	Bolt	1	2	
18	MR01080214BAG	F15-02.00.00.03	Cable fixer	1	2	
19	MR0104404BAG	GB9074.1 M6*16	Hex Flange Bolt M6*16	4	2	
20	MR010802150BAG	F15-02.00.00.05	shift limit plate	1	2	65W-44116-00-00
21	MR01080216BAG	F15-02.00.00.06	plate	1	2	66R-44114-00-00
22	MR01080213BAG	F15-02.00.00.02	Press plate	2	2	66M-42743-00-00
23	MR0104058BAG	GB5787(9.8)	Bolt	3	5	
24	MR01080217BAG	F15-02.00.00.11	fixing bracket,choke pull rod	1	2	
25	MR092501010220	F15-02.00.00.10	Top cover,fuel hose joint	1	1	66M-42738-00-4D

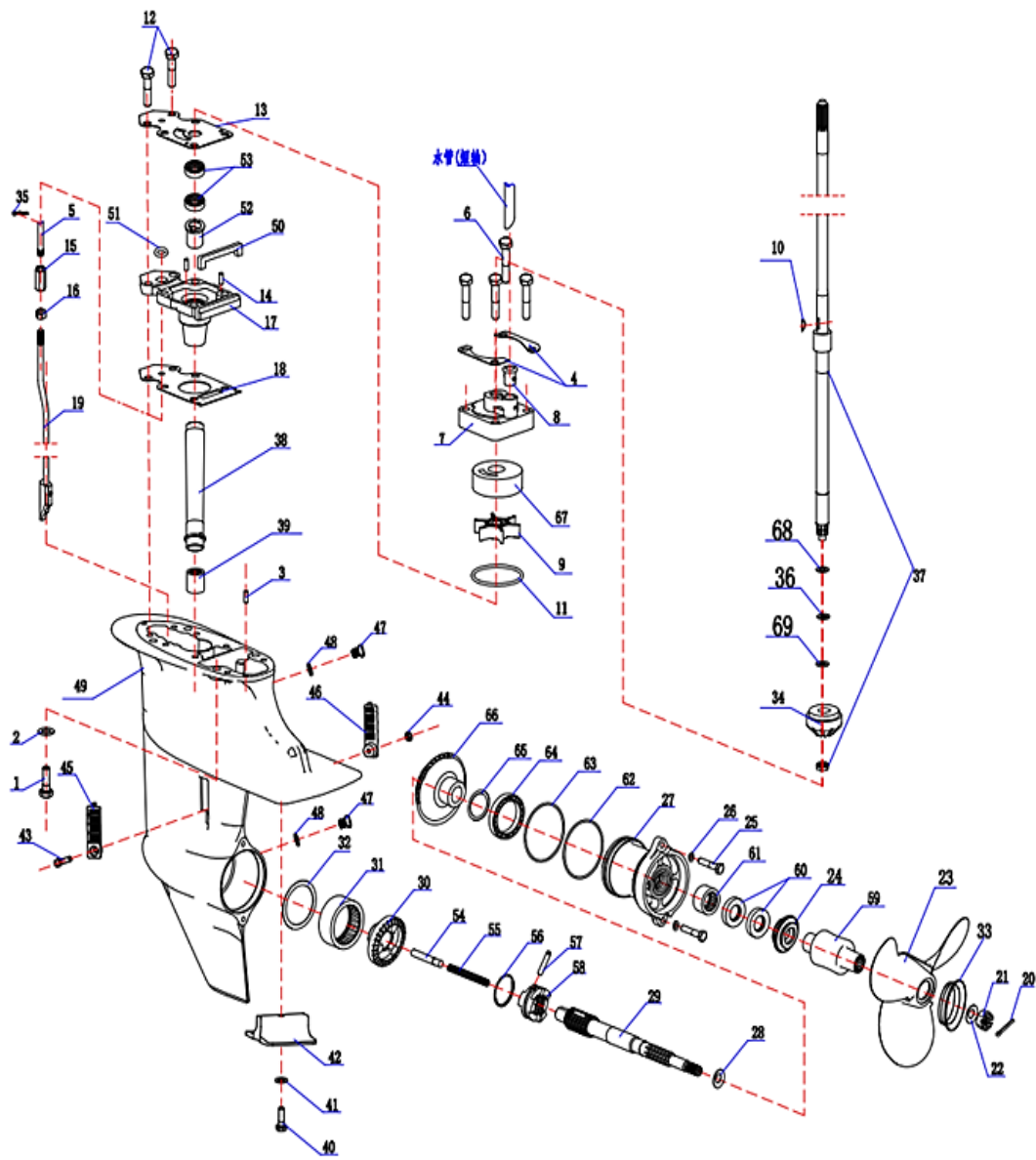
26	MR01060230	F15-02.00.00.18	Rubber damper strip	1	1	
27	MR01060227BAG	F15-02.00.00.12	Protecting sleeve,steel cable	1	2	66M-26326-00-00
28	MR01060118BAG	15F-02.12	Rubber plug	1	2	682-42724-00-00
29	MR01070820	DQDF15-00.06.00	chock rod Assy.	1	1	
30	MR01070135BAG	15F-02.03	Protecting bush,choke	1	2	
31	MR01060229BAG	F15-02.00.00.16	Rubber block	1	2	
32	MR01060226BAG	F15-02.00.00.09	Rubber seal block	1	5	65W-42727-00-00
33	MR01020201BAG	F15-00.00.00.15	gasket,bottom damper	6	2	
34	MR01060231BAG	F15-02.00.00.32	Damper	6	2	
35	MR01060321BAG	F4-02.13	Rubber plug	1	2	
36	MR01080218	F15-02.00.00.19	Clip,hose	1	1	
37	MR01080708	F6-02.03.00.00	Lock handle bracket Assy.	1	1	
38	MR01070702BAG	F6-02.00.00.06	lock handle connector	1	2	
39	MR01020706	F6-02.00.00.05	Lock handle rotation shaft	2	1	
40	MR01070533	F9.9-02.00.00.17	lock handle	1	1	
41	MR01060117BAG	15F-02.10	protecting bush,gear shifting linkage	1	2	
42	MR0104177BAG	GB896.4	circlip	2	10	



## 10. Дейдвуд

NO.	КОД MR	КОД OEM	НАИМЕНОВАНИЕ	ШТ	УПАКОВКА	YAMAHA
1	MR090701010226	F15-05.02.00.01-S	Upper casing(S)	1	1	66M-45111-00-4D
	MR090701010225	F15-05.02.00.01-L	Upper casing(L)	1	1	
2	MR01060130BAG	15F-05.07	Rubber ring(lower),hose	1	2	66M-44366-00-00
3	MR01060241	F15-05.04.00.00	damper comp.	1	1	66M-44514-00-4D
4	MR0104421BAG	GB9074.1 M6*25(10.9)	Bolt	3	10	
5	MR01060203BAG	F15-00.00.00.14	Damper	1	5	
6	MR01080219BAG	F15-04.00.00.01	Pressing plate,Damper	1	2	66M-44526-00-00
7	MR0104139BAG	GB6170	Bolt nut	2	10	
8	MR01060244BAG	F15-05.00.00.19	Rubber ring(upper),hose	1	2	63V-44368-00-00
9	MR01100219	F15-05.00.00.13-S	Hose (S)	1	1	66M-44361-10-00
	MR01100215	F15-05.00.00.13-L	Hose (L)	1	1	
10	MR01060129BAG	15F-05.06	Rubber ring,water hose	1	2	63V-44365-10-00
11	MR01060235BAG	F15-05.00.00.12	Sealing ring	1	2	66M-45128-00-00
12	MR01060250	F15-05.03.00.02	Rubber snorkel-EPA	1	1	
13	MR01070225	F15-05.03.00.01	Exhaust baffle	1	1	66M-45115-00-00
14	MR01060240	F15-05.03.00.03	Seal ring	1	1	66M-45126-00-00
15	MR01050243BAG	F15-05.00.00.03	Seal Gasket(bottom),Oil sump	1	2	66M-45113-00-00
16	MR01020208BAG	F15-01.03.00.29	Positioning pin 6 * 12	4	10	
17	MR0104404BAG	GB9074.1 M6*16(A2-70)	Bolt	2	10	
18	MR092501070201	F15-00.00.00.16	Decoration cover (LH)	1	1	
19	MR01050244BAG	F15-05.00.00.10	Seal gasket,exhaust pipe	1	10	66M-11355-00-00
20	MR01100217	F15-05.01.00.00	Exhaust pipe comp.	1	1	6D4-41131-00-94
21	MR01060234BAG	F15-05.00.00.11	damper,Exhaust pipe	1	2	6D4-41138-00-00
22	MR01060233BAG	F15-05.00.00.07	rubber bushing	1	2	66M-15316-00-00
23	MR010818005BAG	F25-01.04.00.01	Washer 14	1	2	90430-14M09-00
24	MR01020217	F15-05.00.00.08	Drain bolt M14*12*1.5	1	1	90340-14M06-00
25	MR092501010224	F15-05.00.00.20	Oil sump	1	1	66M-41137-00-5B
26	MR01044136BAG	GB9074.1 M8*45(A2-70)	Hexagon headed bolt and flat plate M8*45	6	2	
27	MR01070202	F15-00.00.00.17	Decoration cover (RH)	1	1	
28	MR01050108	15F-01.06.27	Oil seal	1	1	93101-12M63-00
29	MR01060232	F15-05.00.00.04	Rubber sealing strip	1	1	
30	MR01020109	15F-01.06.10	water Tube fitting B	1	1	676-11372-00-00
31	MR01060237BAG	F15-05.00.00.15	Hose	1	2	
32	MR01070226BAG	F15-05.00.00.17	T-branch pipe	1	2	
33	MR01060236BAG	F15-05.00.00.14	Hose	1	2	

34	MR01090139BAG	15F-01.07.07	Clamp φ10	1	10	
35	MR01050242	F15-05.00.00.02	Gasket(upper),Oil sump	1	1	66M-11351-10-00
36	MR01060202BAG	F15-00.00.00.03	Damper B	2	2	682-44555-30-00
37	MR01060201	F15-00.00.00.02	Damper A	1	1	66M-44557-00-00
38	MR092501010201	F15-00.00.00.01	Damper housing	2	1	66M-44551-00-4D
39	MR0104159BAG	GB848	Flat Pad 8	4	10	92995-08600-00
40	MR0104046BAG	GB5783	Bolt	2	2	
41	MR01100216	F15-05.00.00.18	Cable connector	1	1	66M-82127-00-00
42	MR0104139BAG	GB6170	Bolt nut	4	10	
43	MR0104083BAG	GB818	Screw M6*12	1	10	
44	MR01060222BAG	F15-01.05.03.03	Protect sleeve,filter	1	2	66M-13417-00-00
45	MR01100207	F15-01.05.04.00	filter comp.	1	1	66M-13421-00-00
46	MR01060252	F15-01.05.03.02	Suction hose-EPA	1	1	
47	MR01080211BAG	F15-01.05.03.01	Clip	2	2	66M-24351-00-00
48	MR0104406BAG	GB9074.1(8.8)	Flat gasket&Bolt	2	10	97095-06020-00
49	MR0104045BAG	GB5783	Hex bolt M8*85	2	5	
50	MR01100109BAG	JB/7940.1	Oil cup	1	2	
51	MR0104085BAG	GB818	Cross recessed Pan head screws M5*30	2	10	
52	MR01040870BAG	GB818	Cross recessed pan head tapping screws	1	10	
53	MR01070232BAG	F15-00.00.00.21	Plug	6	2	
54	MR01070137BAG	15F-02.11	Plastic Water nozzle	1	5	
55	MR0104083BAG	GB818	Screw M6*12	2	10	
56	MR0104084BAG	GB818	Screw	6	10	
57	MR01060204BAG	F15-00.00.00.18	plug (left)	2	2	
58	MR01060205BAG	F15-00.00.00.19	plug (middle)	2	2	
59	MR01060206BAG	F15-00.00.00.20	plug (right)	2	2	



### 11. Редуктор

NO.	КОД MR	CODE	КОД OEM	НАИМЕНОВАНИЕ	ШТ	УПАКОВКА	YAMAHA
1	MR0104037BAG	0104037	GB5783	Bolt	4	2	97075-08030-00
2	MR0104159BAG	0104159	GB848	Flat Pad 8	4	10	92995-08600-00
3	MR01020129BAG	01020129	15F-06.03.08	Cotter Pin 4*12(short shaft)	2	10	93604-12M07-00
4	MR01080134BAG	01080134	15F-06.02.07	Dead plate,water pump	2	2	63V-44328-00-00
5	MR01090210	01090210	F15-02.00.00.17-S	Shift lever(upper,S)	1	1	66M-44124-00-00
	MR01090208	01090208	F15-02.00.00.17-L	Shift lever(upper,L)	1	1	
6	MR0104040BAG	0104040	GB5783	Bolt	4	10	97080-08045-00
7	MR01070159	01070159	15F-06.02.01	Water pump housing comp.	1	1	63V-44301-00-00
8	MR01060134BAG	01060134	15F-06.02.06	Seal Gasket,water hose	1	2	647-44366-00-00
9	MR01060133	01060133	15F-06.02.04	Impeller	1	1	63V-44352-01-00
10	MR01100115BAG	01100115	15F-06.01.09	Woodruff key	1	2	664-44338-00-00
11	MR01060132	01060132	15F-06.02.02	O ring,water pump casing	1	1	93210-44398-00
12	MR0104036BAG	0104036	GB5783	Hex Head Bolt M8*25	2	5	97080-08025-00
13	MR010801350	010801350	15F-06.03.01	pressing plate,bearing seat	1	1	63V-44323-00-00
14	MR01020129BAG	01020129	15F-06.03.08	Cotter Pin 4*12(short shaft)	2	10	93604-12M07-00
15	MR01020130BAG	01020130	15F-06.04.05	Column nut	1	2	90170-06015-00
16	MR0104138BAG	0104138	GB6170	Hex Nut M6	1	10	92995-06600-00
17	MR090701010118	090701010118	15F-06.03.02	Bearing seat casing	1	1	63V-45331-00-5B
18	MR01050134BAG	01050134	15F-06.03.07	Gasket,bearing seat	1	5	63V-45315-A0-00
19	MR01090211	01090211	F15-06.01.00.00-S	Shift cam assy.(S)	1	1	63V-44150-00-00
	MR01090209	01090209	F15-06.01.00.00-L	Shift cam assy.(L)	1	1	
20	MR0104189BAG	0104189	GB91	Cotter Pin 2.5*20	1	10	91490-30020-00
21	MR01020134	01020134	15F-06.14.06	Nut	1	1	90171-10M01-00
22	MR0104166BAG	0104166	GB96	Gasket	1	10	92903-10600-00
23	MR01010120	01010120	15F-06.14.01	Propeller	1		
	MR030312	030312	F15-06.14.00.00	Propeller Assy.	1	1	63V-45943-00-EL
24	MR01020133	01020133	15F-06.13	Bushing	1	1	6E7-45987-01-00
25	MR0104012BAG	0104012	GB5783	Hex Bolt M6*20	2	10	97095-06020-00



26	MR0104158BAG	0104158	GB848	Flat pad 6	2	10	92995-06600-00
27	MR090701010119	090701010119	15F-06.12.06	Cap,lower casing	1	1	683-45361-02-4D
28	MR01080138BAG	01080138	15F-06.11	gasket ring	1	10	90201-17682-00
29	MR01050137	01050137	15F-06.10.01	Propeller shaft	1	1	683-45611-00-00
30	MR01050136A	01050136A	15F-06.09	spiral bevel,forward gear	1	1	6E7-45560-01-00
31	MR01050135	01050135	15F-06.07	Roller Bearings	1	1	93332-00005-00
32	MR010801360BAG	010801360	15F-06.08	Shim	2	5	664-45567-01-00
33	MR01010121	01010121	15F-06.14.02	Propeller shaft	1		
34	MR01050129A	01050129A	15F-06.01.10	Pinion gear	1	1	63V-45551-00-00
35	MR01090126BAG	01090126	15F-04.08.05	circlip(L)	1	2	
36	MR01050131	01050131	15F-06.01.13	Roller Bearings	1	1	93341-41414-00
37	MR01050128	01050128	15F-06.01.08-S	Drive shaft (S)	1	1	63V-45510-01-00
	MR01050144	01050144	15F-06.01.08-L	Drive shaft (L)	1	1	63V-45510-11-00
38	MR01070158BAG	01070158	15F-06.01.07	Nylon bushing	1	2	63V-45536-00-00
39	MR01050151	01050151	15F-06.01.14	Roller Needle Bearings	1	1	93315-314V8-00
40	MR0104058BAG	0104058	GB5787 (9.8)	Bolt	1	5	95895-06030-00
41	MR0104155BAG	0104155	GB861.1	Washer,inner gear	1	10	92990-06300-00
42	MR01010122	01010122	15F-06.15	Anode	1	1	61N-45251-01-00
43	MR0104116BAG	0104116	GB820	Cross recessed countersunk head screw	1	10	90152-05M04-00
44	MR0104145BAG	0104145	DIN985	Hexagonal nut	1	10	90185-05002-00
45	MR01070156BAG	01070156	15F-06.01.05	Water inlet cover	1	2	63V-45215-00-00
46	MR01070157BAG	01070157	15F-06.01.06	cover,water inlet	1	2	6G1-45214-00-00
47	MR01020128BAG	01020128	15F-06.01.03	plug,straight screw	2	2	90340-08002-00
48	MR01080139BAG	01080139	15F-06.01.04	Gasket	2	10	90430-08020-00
49	MR090701010117	090701010117	15F-06.01.02	Lower casing	1	1	66M-45311-01-4D
50	MR01060136BAG	01060136	15F-06.03.04	Sealing strip,bearing seat	1	2	63V-45375-00-00
51	MR01060135BAG	01060135	15F-06.03.03	Shift lever o-ring	1	2	93210-06ME6-00
52	MR01050133	01050133	15F-06.03.06	Bearing	1	1	626-45316-09-00
53	MR01050132	01050132	15F-06.03.05	Oil seal	2	1	93101-20001-00
54	MR01020132BAG	01020132	15F-06.10.06(S)	Plunger	1	2	650-45635-00-00
55	MR01090130BAG	01090130	15F-06.10.05	Compression spring	1	2	90501-14M06-00
56	MR01090129BAG	01090129	15F-06.10.04	Circlip	1	2	648-45633-00-00
57	MR01020131BAG	01020131	15F-06.10.03	Pin	1	10	90250-05010-00
58	MR01050138	01050138	15F-06.10.02	Dog clutch	1	1	682-45631-00-00
59	MR01060139	01060139	15F-06.14.03	Propeller shaft teeth	1	1	
60	MR01050142	01050142	15F-06.12.08	Oil seal	2	1	93101-17054-00
61	MR01050141	01050141	15F-06.12.07	Needle bearing	1	1	93315-317U2-00
62	MR01060137	01060137	15F-06.12.04	O ring	1	1	93210-57M09-00
63	MR01060138	01060138	15F-06.12.05	O ring	1	1	93210-56M80-00
64	MR01050140	01050140	15F-06.12.03	deep groove ball bearing	1	1	93306-00501-00
65	MR01080137BAG	01080137	15F-06.12.02	shim	1	10	626-45577-00-00
66	MR01050139A	01050139A	15F-06.12.01	Reverse gear	1	1	6E7-45571-00-00
67	MR01080133	01080133	15F-06.02.03	Insert, cartridge	1	1	63V-44322-00-00
68	MR2080506002	2080506002	15F-06.01.16	thrust washer	1	1	
69	MR2080506001	2080506001	15F-06.01.11	adjust washer	1	1	
	MR030501	030501	F15(S)-06.00.00.00	Lower Casing Assy.	1	1	
	MR030502	030502	F15(L)-06.00.00.00	Lower Casing Assy.	1	1	

## 12. Аксессуары

NO.	КОД MR	КОД OEM	НАИМЕНОВАНИЕ	ШТ	УПАКОВКА	YAMAHA
1	MR01020128BAG	15F-06.01.03	thread plug, straight screw	1	2	90340-08002
2	MR0104189BAG	GB91 2.5*20	cotter pin	1	10	
3	MR01060133	15F-06.02.04	water pump impeller	1	1	63V-44352-01
4	MR01070168BAG	15F-09.01	emergency starting handle	1	2	
5	MR01070229	F15-08.00.00.00	fuel case Assy.	1	1	
6	MR01080139BAG	15F-06.01.04	thread plug seal gasket	2	10	90430-08020
7	MR01100103	15F-01.01.22	starter rope	1	1	
8	MR01100119	15F-08.01.06.00	Fuel Hose With Connector	1	1	
9	MR01100218	F15-09.00	toolkit	1	1	